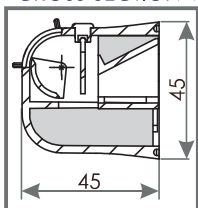
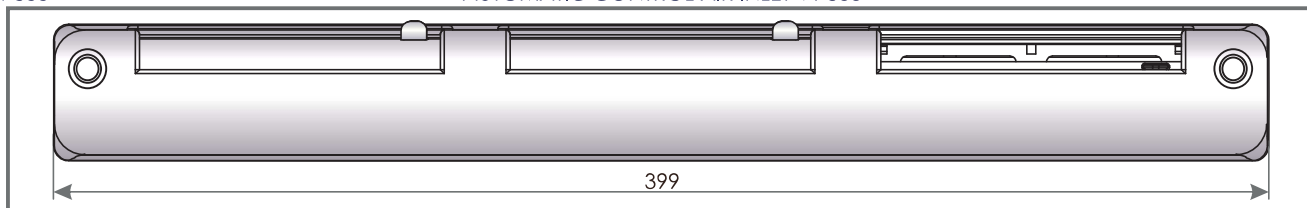


ACOUSTIC AIR INLET VENTEC VT 901

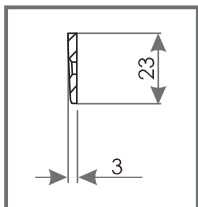
CROSS-SECTION VT 300



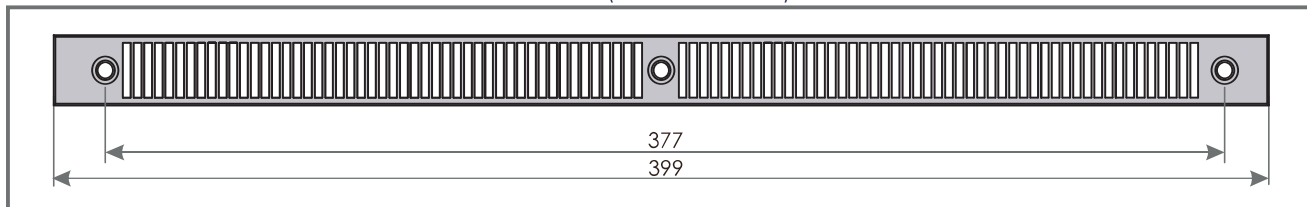
AUTOMATIC CONTROL AIR INLET VT 300



CROSS-SECTION OZ 300



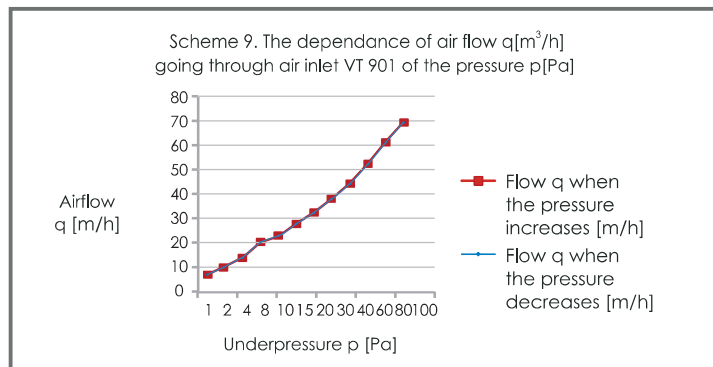
FLAT CANOPY (UNDER SHUTTERS) OZ 300



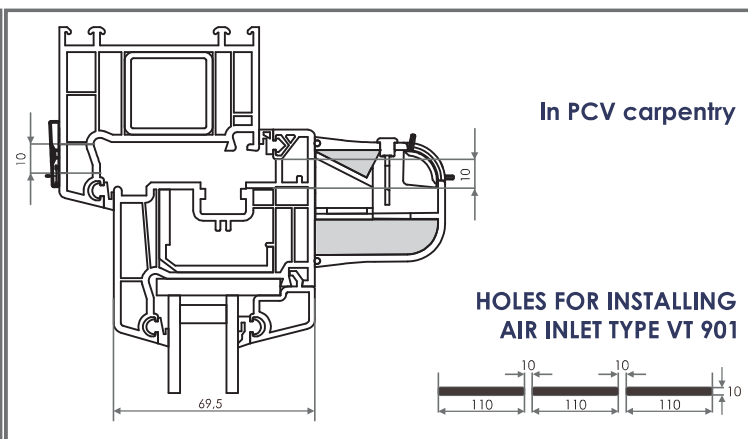
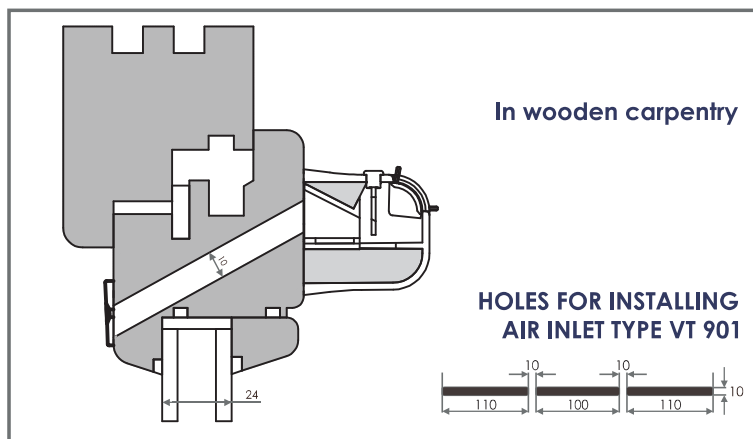
TECHNICAL CHARACTERISTICS

Airflow	23 m ³ /h ($\Delta p = 10$ Pa)
Airflow**	33 m ³ /h ($\Delta p = 20$ Pa)
Acoustic open air inlet	$D_{n,e,w} (C;C_{tr}) = 38 (-1;-1)$ dB
Acoustic closed air inlet	$D_{n,e,w} (C;C_{tr}) = 42 (0; -2)$ dB

* For calculations of fresh air supply requirement for mechanical exhaust ventilation system, negative pressure of 20 Pa should be assumed.



THE WAY OF INSTALLATION



VENTEC VT 901 - shades variety

Symbol	VT901	VT912	VT913	VT914	VT915	VT922	VT923	VT924	VT925
Inner colour	RAL 9003	RAL 9003	RAL 9003	RAL 9003	RAL 9003	RAL 8001	RAL 8017	RAL 7012	RAL 7016
Outer colour	RAL 9003	RAL 8001	RAL 8017	RAL 7012	RAL 7016	RAL 8001	RAL 8017	RAL 7012	RAL 7016